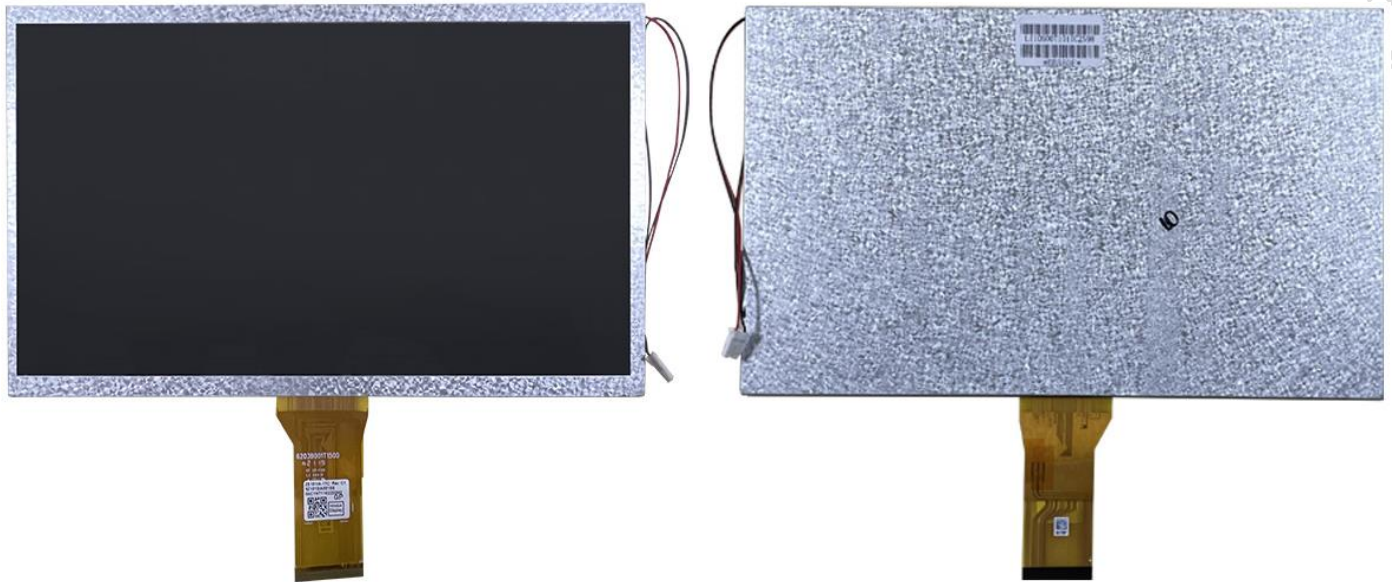


## LI10600T101IC2598

10.1 inch, 1024\*600 pixels resolution, RGB interface, IPS-TFT-LCD



Disclaimer: The product design is subject to alternation and improvement without prior notice.

## Table of Contents

1 General Feature.....	3
2 Mechanical Drawing.....	4
3 Input/Output Terminals.....	5
4 Electrical Characteristics.....	6
5 Timing Characteristics.....	7
6 Optical Characteristics.....	10
7 Environmental Reliability Test.....	14
8 Packing Capacity & Dimension.....	15
9 Appearance Inspection.....	16
10 Precautions for Use of LCD Modules.....	19
11 LCD Introduction.....	20

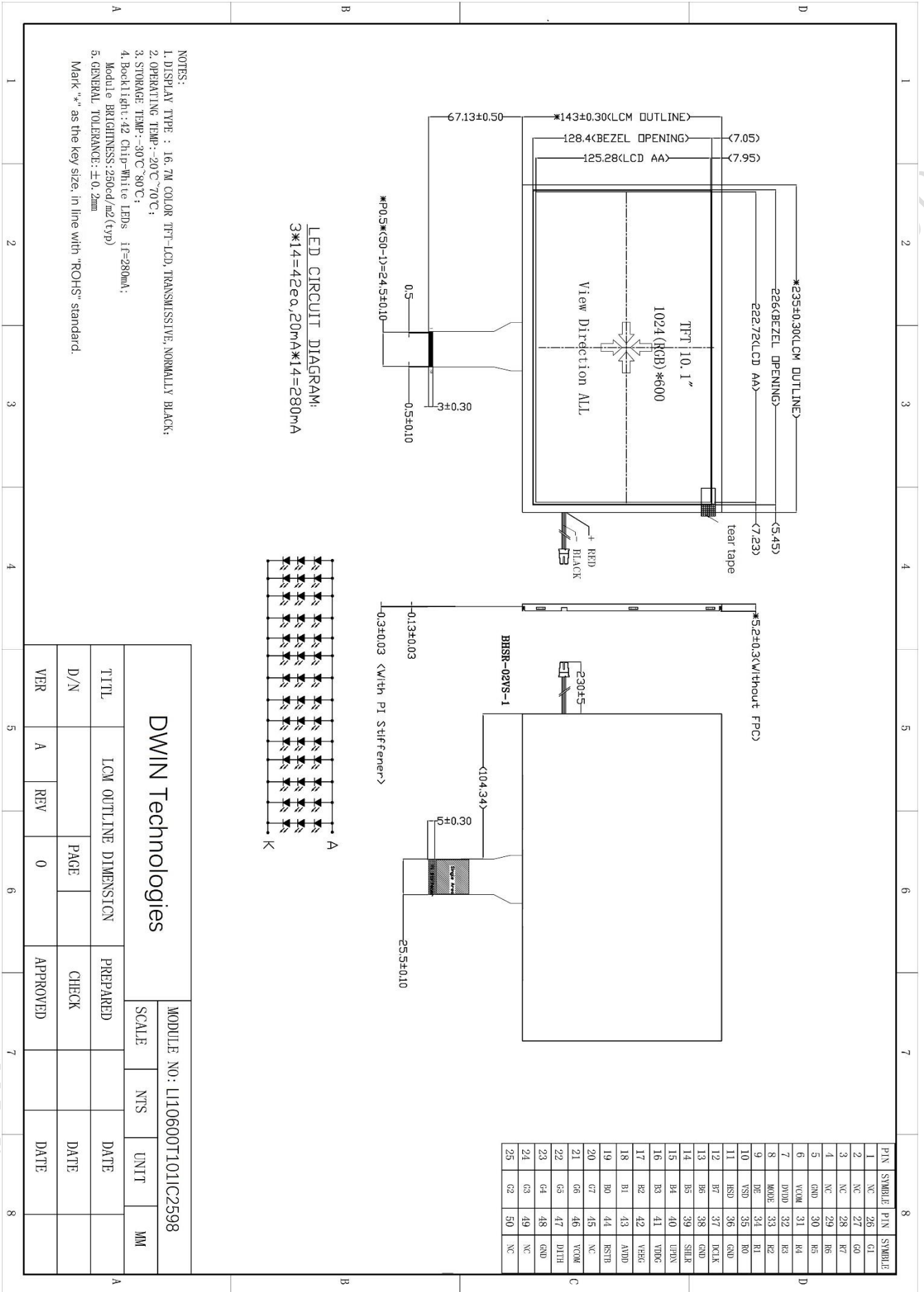
## 1 General Feature

Feature		Description	Unit
Display Spec.	Size	10.1	inch
	Resolution	1024(H)*600(V)	pixels
	Pixel Configuration	RGB island	-
	Pixel Pitch	0.2175(H)*0.2088(V)	mm
	Viewing Direction	ALL	-
Mechanical Characteristics	Outside Dimension	235.0(W)*143.0(H)*5.2(D)	mm
	Active Area	222.72(W)*125.28(H)	mm
	Luminance	250	cd/m <sup>2</sup>
	LED Numbers	42 LEDS	-
	Pin Order	From left to right 50PIN_0.5mm	-
	Weight	255	g
Electrical Characteristics	Interface	RGB_24bit	-
	Color Depth	16.7M	colors
	Driver Condition	3.3(Type)	V
	Driver IC	ILI6150&ILI5120	-
Temperature Range	Operating Temp.	-20~70	°C
	Storage Temp.	-30~80	°C

**Note: Requirements on Environmental Protection: RoHS.**

**You can use dynamic screen saver wallpapers to avoid afterimages caused by fixed paper display for a long time.**

# 2 Mechanical Drawing



### 3 Input/Output Terminals

Pin NO.	Symbol	Description	Remark
1-2	NC(LEDA)	Not connect	
3-4	NC(LEDK)	Not connect	
5	GND	Ground	
6	VCOM	For external VCOM DC input	
7	DVDD	Digital Power	
8	MODE	DE/SYNC mode select	
9	DE	Data ENABLE signal	
10	VSD	Frame synchronizing signal	
11	HSD	Line synchronizing signal	
12-19	B7-B0	Data bus	
20-27	G7-G0	Data bus	
28-35	R7-R0	Data bus	
36	GND	Ground	
37	DCLK	Dot clock signal	
38	GND	Ground	
39	SHLR	Source right or left sequence control.	
40	UPDN	Gate up or down scan control	
41	VDDG	Positive Power for TFT	
42	VEEG	Negative Power for TFT	
43	AVDD	Analog Power	
44	RSTB	Global reset signal pin. Active low to enter reset state. Suggest to connecting with an RC reset circuit for stability. Normally pull high.	
45	NC	Not connect	
46	VCOM	For external VCOM DC input	
47	DITHB	Dithering setting. DITH= "H" 6bit resolution; DITH= "L" 8bit resolution(default setting)	
48	GND	Ground	
49	NC	Not connect	
50	NC	Not connect	

## 4 Electrical Characteristics

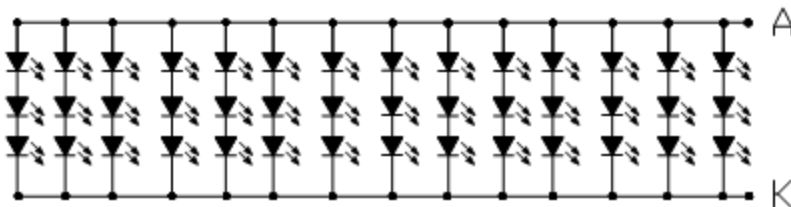
### 4.1 Driving TFT LCD Panel

Item	Symbol	Min.	Typ.	Max.	Unit	Remark
Digital Supply Voltage	VDD	3.0	3.3	3.6	V	
Analog Supply Voltage	AVDD	12.0	12.2	12.4	V	
TFT Gate On Voltage	VGH	20.0	22.0	24.0	V	
TFT Gate Off Voltage	VGL	-11.0	-10.0	-9.0	V	
TFT Common Voltage	VCOM	4.39	4.9	6.39	V	

### 4.2 LED Backlight Specification

Item	Symbol	Min.	Typ.	Max.	Unit	Remark
Voltage for LED Backlight	VL	8.4	9.9	10.2	V	
Current for LED Backlight	IL	-	280	-	mA	
Luminance(with LCD)	Lv	-	250	-	cd/m <sup>2</sup>	If=280mA
LED Life-Time	Hr	-	30000	-	Hour	

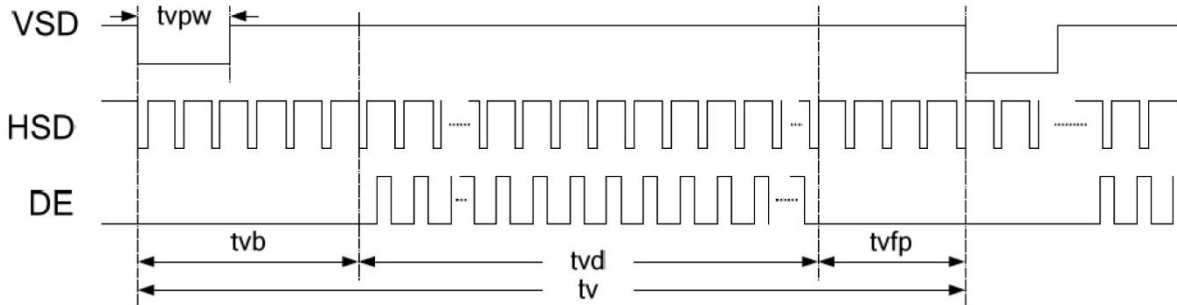
Note: 42 LEDs (3 LED Serial,14 ways Parallel)



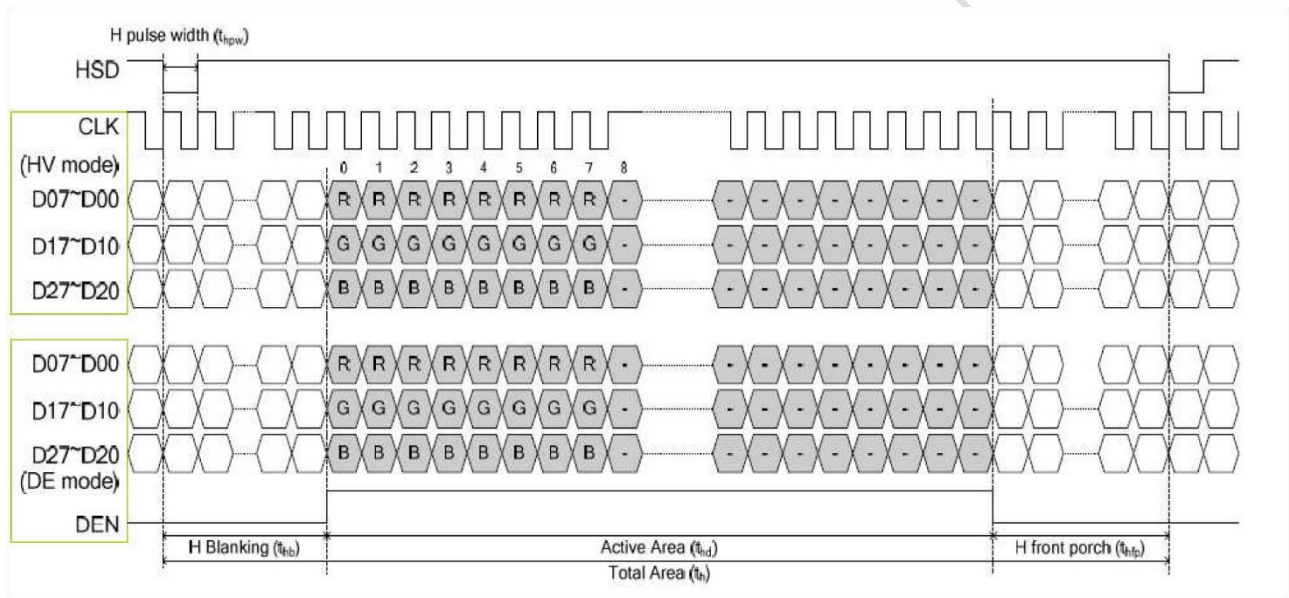
## 5 Timing Characteristics

### 5.1 Data Input Format

#### 5.1.1 Vertical Timing



#### 5.1.2 Horizontal Timing



### 5.2 DE Mode

Parallel	Symbol	Vaule			Unit
		Min	Typ	Max	
DCLK Frequency Frame rate=60Hz	fclk	42.5	51.2	67.2	MHz
Horizontal display area	thd	1024			DCLK
HSYNC period time	thpw	1164	1344	1400	DCLK
HSYNC blanking	thb+thfp	140	320	376	DCLK
Vertical display area	tvd	600			H
VSYSNc period time	tpw	610	635	800	H
VSYSNc blanking	tvb+tvfp	10	35	200	H

## 5.3 HV Mode

Parallel		Symbol	Vaule			Unit
			Min	Typ	Max	
Horizontal display area		thd	1024			
DCLK Frequency Frame rate=60Hz		fclk	44.9	51.2	63	MHz
1 Horizontal Line		th	1200	1344	1400	DCLK
HSYNC pulse width	Min	thpw	1			DCLK
	Typ		-			
	Max		140			
HSYNC period time		thpw	160	160	160	
HSYNC blanking		thb+thfp	16	160	216	

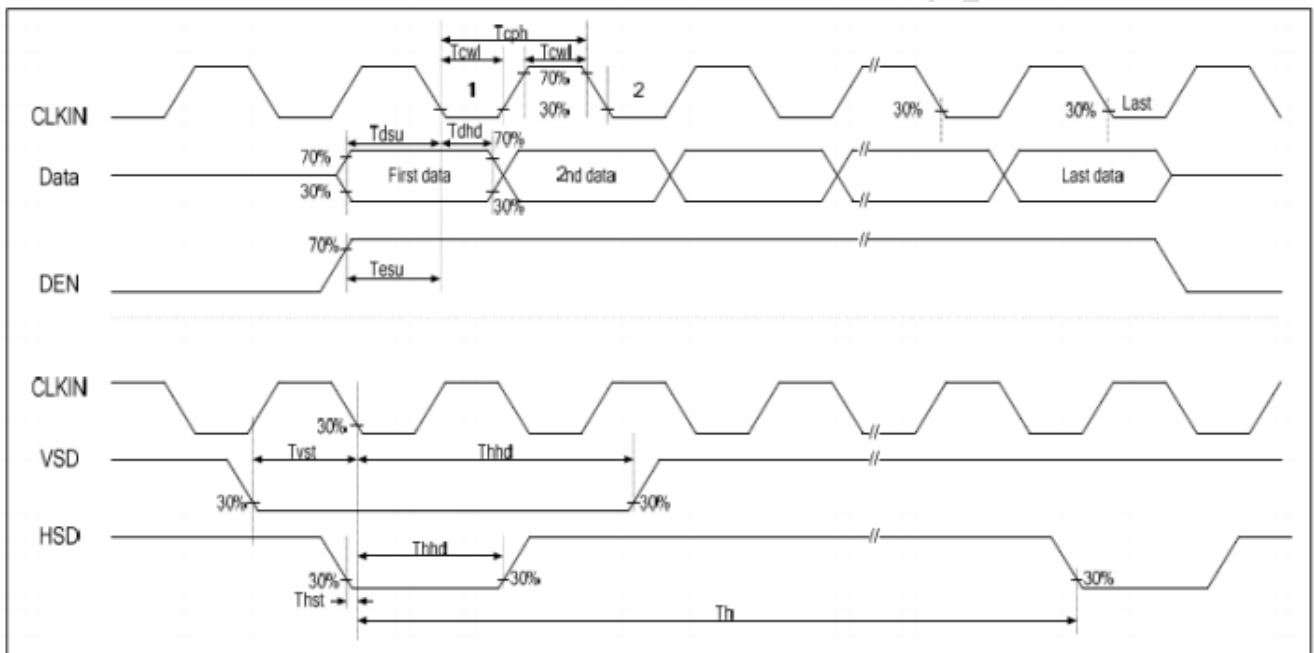
Parallel		Symbol	Vaule			Unit
			Min	Typ	Max	
Vertical display area		tvd	600			H
VSYNC period time		tv	624	635	760	H
VSYNC pulse width		tpw	1	-	20	H
VSYNC blanking		tvb	23	23	23	H
VSYNC front porch		tvfp	1	12	127	H



### 5.4 Input Clock and Data Timing Diagram

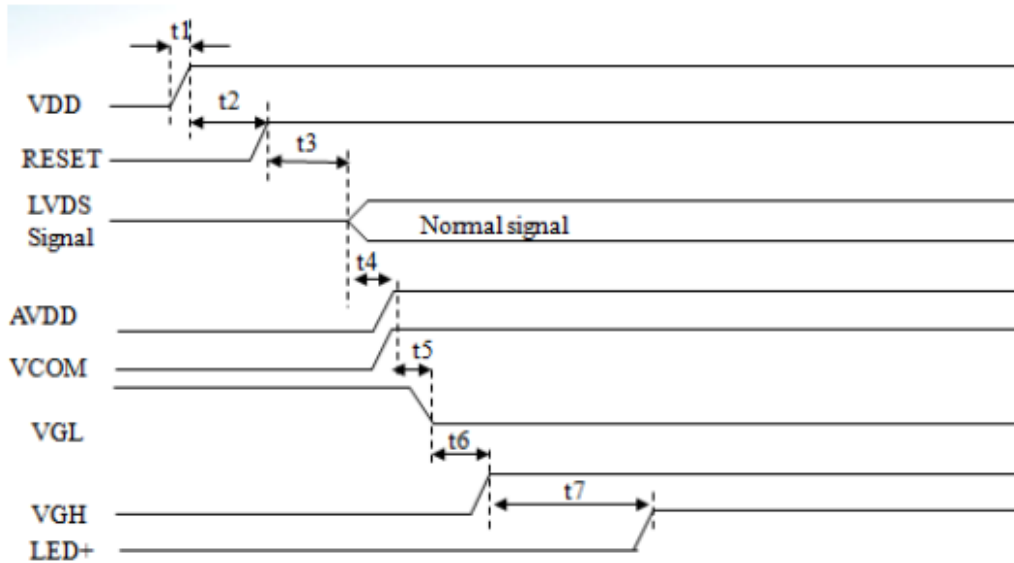
Parameter	Symbol	Spec.			Unit
		Min.	Typ.	Max.	
HS setup time	$T_{hst}$	5	-	-	ns
HS hold time	$T_{hhd}$	5	-	-	ns
VS setup time	$T_{vst}$	5	-	-	ns
VS hold time	$T_{vhd}$	5	-	-	ns
Data setup time	$T_{dsu}$	5	-	-	ns
Data hold time	$T_{dhd}$	5	-	-	ns
DE setup time	$T_{esu}$	5	-	-	ns
DE hold time	$T_{ehd}$	5	-	-	ns

VDD Power On Slew Rate	$T_{POR}$	-	-	20	ms
CLKIN cycle time	$T_{cph}$	14	-	-	ns
CLKIN pulse duty	$T_{cwh}$	40	50	60	%
Output stable time	$T_{sst}$	-	-	3	us



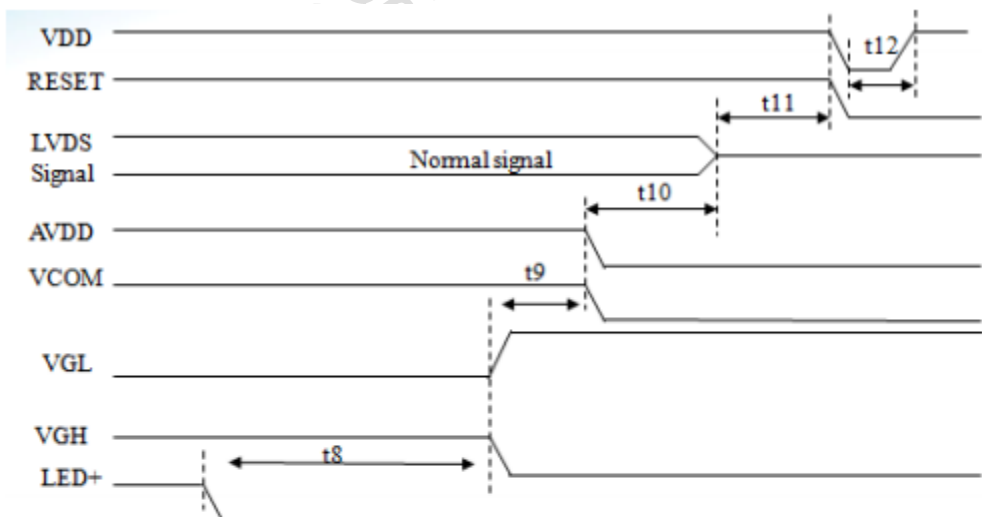
## 5.5 Power Function Description

### 5.5.1 Power On Sequence



Symbol	SPEC			Unit
	Min.	Typ.	Max.	
t1	1	10	20	ms
t2	1	10(RC Delay)	12	ms
t3	30	50	100	ms
t4	0.1	5	20	ms
t5	20	70	120	ms
t6	40	90	140	ms
t7	150	170	200	ms

### 5.5.2 Power Off Sequence



Symbol	SPEC			Unit
	Min.	Typ.	Max.	
t8	120	150	200	ms
t9	50	100	200	ms
t10	1	10	20	ms
t11	0.1	10	100	ms
t12	500	-	-	ms

## 6 Optical Characteristics

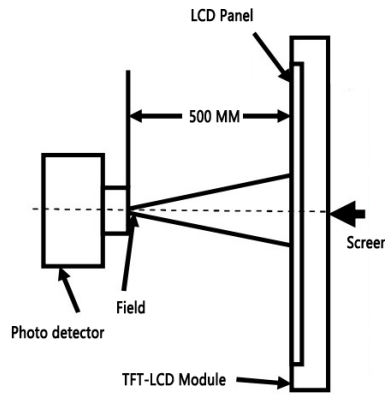
Item	Symbol	Condition	Min.	Typ.	Max.	Unit	Remark
Viewing Angle	Top	$CR \geq 10$	-	85	-	Deg.	Note 2
	Bottom		-	85	-		
	Left		-	85	-		
	Right		-	85	-		
Contrast Ratio	CR	$\theta=0^\circ$	600	800	-		
Color Chromaticity (CIE1931)	Wx		0.303	0.333	0.363		Note 1
	Wy		0.332	0.362	0.392		
	Rx		0.597	0.627	0.657		
	Ry		0.318	0.348	0.378		
	Gx		0.275	0.305	0.335		
	Gy		0.511	0.541	0.571		
	Bx		0.106	0.136	0.166		
	By		0.087	0.117	0.147		
Color Gamut	NTSC	$\theta=0^\circ$	48	53	-	%	
Color Temperature	Tc		-	10300	-	K	Note 3
Uniformity(with L/G)	Avg		75	80	-	%	

Test conditions:

IF= 280 mA, and the ambient temperature is 25°C.

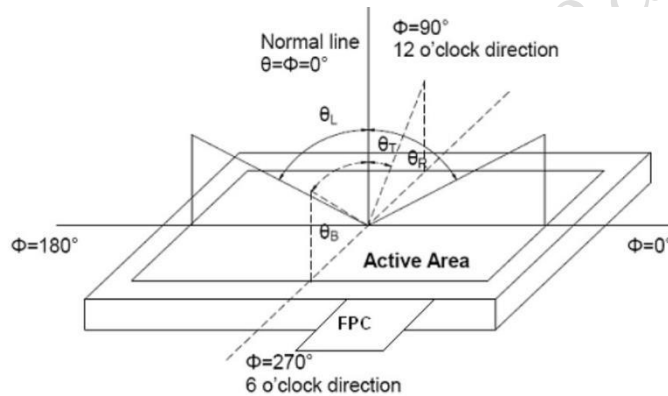
**Note 1: Definition of optical measurement system.**

The optical characteristics should be measured in dark room. After 5 minutes operation, the optical properties are measured at the center point of LCD.



**Note 2: Definition of viewing angle range and measurement system.**

The viewing angle is measured at the center point of the LCD by BM-7A.

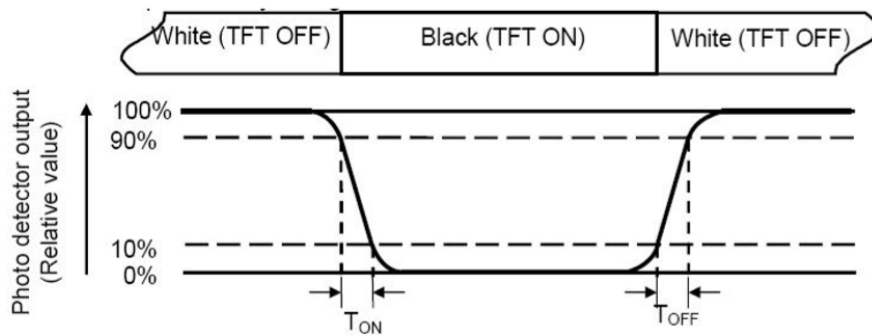


**Note 3: Definition of color temperature.**

When the radiation of the light source is exactly the same in the visible region and the absolute blackbody, the temperature of the blackbody is called the color temperature of the light source. Color temperature is an index to measure the degree of light source color (cold color, warm color). Warm color < 3300K, intermediate color 3300 ~ 5000K, cold color > 5000K.

**Note 4: Definition of response time.**

The response time is defined as the LCD optical switching time interval between “White” state and “Black” state. Time ON (TON) is the time between photo detector output intensity changed from 90% to 10%. And time off (TOFF) is the time between photo detector output intensity changed from 10% to 90%.



**Note 5: Definition of color chromaticity (CIE1931).**

Color coordinates measured at center point of LCD.

**Note 6: Definition of luminance.**

Measure the luminance of white state at center point.

## 7 Environmental Reliability Test

NO	Test Item	Condition	Remarks
1	High Temperature Operation	Ta=+70℃, 48hours	IEC60068-2-1:2007 GB2423.2-2008
2	Low Temperature Operation	Ta=-20℃, 48hours	IEC60068-2-1:2007 GB2423.1-2008
3	High Temperature Storage	Ta=+80℃, 48hours	IEC60068-2-1:2007 GB2423.2-2008
4	Low Temperature Storage	Ta=-30℃, 48hours	IEC60068-2-1:2007 GB2423.1-2008
5	Storage at High Temperature and Humidity	Ta=+40℃, 90% RH max, 48hours	IEC60068-2-78 :2001 GB/T2423.3-2006
6	Thermal Shock (non-operation)	-30℃ 30 min~+80℃ 30 min, Change time: 5min, 10 Cycle	Start with cold temperature, End with high temperature, IEC60068-2-14:1984, GB 2423.22-2002
7	ESD(non-operation)	C=150pF, R=330Ω,5point/panel Air: ±8Kv,5times; Contact: ±4Kv,5times (Environment: 15℃~35℃, 30%~60%.86Kpa~106Kpa)	IEC61000-4-2:2001 GB/T 17626.2-2006
8	Vibration Test	Frequency range:10~55Hz Stroke:1.5mm Sweep:10Hz~55Hz~10Hz 2 hours for each direction of X.Y.Z. (6 hours for total)	IEC60068-2-6:1982 GB/T 2423.10-1995
9	Mechanical Shock (non-operation)	Half Sine Wave 60G 6ms, ±X, ±Y, ±Z 3times for each direction	IEC60068-2-27:1987 GB/T 2423.5-1995
10	Package Drop Test	Height: 60cm,1corner,3 edges,6 surfaces	IEC60068-2-32:1990 GB/T 2423.8-1995

## 8 Packing Capacity & Dimension

Dimension			
Dimension(mm)	235.0(W)*143.0(H)*5.2(D)		
Net Weight	255g		
Packing Capacity			
Size	LCD Size and Resolution	Layer	Quantity(Pcs)
320mm(L)x270mm(W)x80mm(H)	10.1 inch 1024*600	1	1
600mm(L)x450mm(W)x300mm(H)	10.1 inch 1024*600	1	40

Packing instruction:

The LCD is placed in the grid, covered with a PE static bag and compactly assembled, the upper and the lower layers of the grid are protected by buffer spaces.

The LCD covered with a PE static bag and compactly assembled



placed in the grid



The upper and the lower layers of the grid are protected by buffer spaces



Packed



## 9 Appearance Inspection

### 9.1 General rules for inspection

9.1.1 Anti-static wearables (anti-static wristbands, gloves) must be worn during the inspection.

9.1.2 Do not use bare hands to touch the position of the device, golden fingers, and the surface of the screen to prevent the sweat from human hands from causing oxidation and affecting the appearance.

9.1.3 It is forbidden to stack products out of specification and handle them with care to avoid damage to components.

9.1.4 The repaired products need to be inspected to prevent rosin and tin slag from exceeding the specifications.

9.1.5 When technical documents and process documents have specific requirements for products, the technical documents and process documents shall be the main requirements.

### 9.2 Inspection conditions

9.2.1 The conditions of display function check

Angle:  $\pm 5^\circ$ ;

Inspection method: visual inspection. The inspection object is 30-40cm away from the light source, and the eye is 30-40cm away from the inspection object;

Illumination: 300-500Lux;

Inspection time: 5-10S.

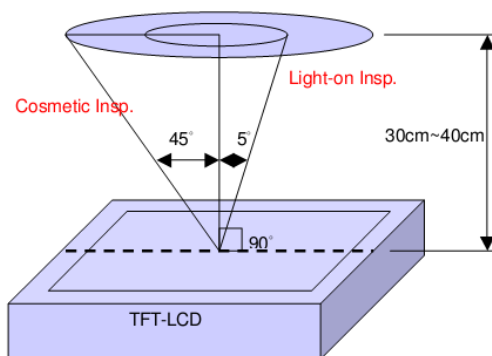
9.2.2 Visual inspection conditions

Angle:  $\pm 45^\circ$ ;

Inspection method: visual inspection. The inspection object is 30-40cm away from the light source, and the eye is 30-40cm away from the inspection object;

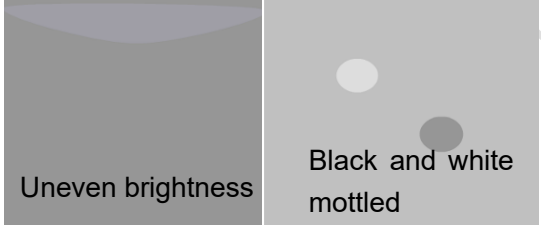
Illumination: 800-1500Lux;


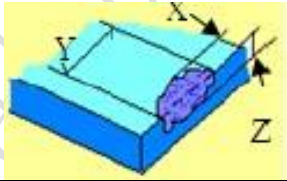
Inspection time: 5-10S.





## 9.3 Inspection standards

Type	Test Items	Judgement Standard	Defect Category
Display state	Dead pixels	No dead pixels	
	mura	<p>From different angles, the brightness is required to be uniform.                      Under the 64-level grayscale or pure black interface, there should be no uneven display brightness within the viewing angle range of 45° through 6% ND FILTER.                      Y series (TV film) LCD screen does not have specific requirements, and the picture inspection does not affect the display as qualified.</p> 	Slight defect
	Light leakage	<p>Under the 64-level grayscale or pure black interface, there should be no obvious light leakage within the viewing angle range of 45° by visual inspection or through 6% ND FILTER.                      Y series (TV LCD screen) series can be without obvious visual defects.</p>	Slight defect
	Linear foreign bodies	<p>1. <math>W \leq 0.05</math>, <math>L \leq 2\text{mm}</math>, negligible;                      2. <math>0.05\text{mm} &lt; W \leq 0.1\text{mm}</math>, <math>L \leq 2\text{mm}</math>, <math>N \leq 3</math>;                      3. <math>W &gt; 0.1\text{mm}</math>, <math>L &gt; 2\text{mm}</math>, not allowed.</p>	Slight defect
Screen surface	Within the effective area	<p>Spotted:                      1. <math>D \leq 0.2\text{mm}</math> and it is not a piece, it is not counted;                      2. <math>0.2\text{mm} &lt; D \leq 0.5\text{mm}</math>, <math>N \leq 3</math>;                      3. <math>D &gt; 0.5\text{mm}</math>, <math>L &gt; 0.5\text{mm}</math>, <math>W &gt; 0.5\text{mm}</math> are not allowed;                      (The spotted foreign objects shall not exceed the point-line gauge <math>D=0.5</math>, and the black dot coverage shall be checked, and the spotted foreign objects shall be judged within the range of <math>D=0.5</math>)</p>	Slight defect

	Foreign objects Scratch Air bubbles	Linear: 1. $W \leq 0.05$ , $L \leq 2\text{mm}$ , ignored; 2. $0.05 < W \leq 0.1\text{mm}$ , $L \leq 2\text{mm}$ , $N \leq 3$ ; 3. $W > 0.1\text{mm}$ , $L > 2\text{mm}$ , not allowed.	
	Outside the effective area Foreign objects Scratches Air bubbles	Foreign objects are not checked, and bubbles are not allowed to $D > 1\text{mm}$ ; Non-inductive scratches of no more than $0.1 \times 8\text{mm}$ are allowed.	Slight defect
	Crack	Not allowed.	 Slight defect
	Notch	1. Does not affect the appearance from the front; 2. Does not affect the relevant alignment; 3. $X \leq 1\text{mm}$ , $Y \leq 1\text{mm}$ , $N \leq 2$ .	 Slight defect
	Glass side Foreign objects Dirty	1. The foreign body on the side is not controlled; 2. The paint pen marks on the side are not controlled; 3. Side oily note printing is not allowed.	Slight defect
FPC	Cracks Goldfinger crease	Not allowed.	Heavy deficit
	Crease	Slight creases are not controlled; The crease is whitish and has lines, which is not allowed.	Heavy deficit
	Top wound, stab wound	No damage to the line, $D \leq 0.2\text{mm}$ ; Damage to the line is not allowed.	Heavy deficit
	Scratch	Slight scratches on the surface are not controlled; Damage to the line is not allowed.	Heavy deficit
	Goldfinger scratch	$W \leq 0.05\text{mm}$ , no control; $W > 0.05\text{mm}$ , not allowed; Test probe tip marks are not controlled.	Heavy deficit
	Component	Under-soldering, over-soldering and false soldering are not allowed.	Heavy deficit

## 10 Precautions for Use of LCD Modules

### 10.1 Handling Precautions

10.1.1 The display panel is made of glass. Do not subject it to a mechanical shock by dropping it from a high place, etc.

10.1.2 If the display panel is damaged and the liquid crystal substance inside it leaks out, be sure not to get any in your mouth, if the substance comes into contact with your skin or clothes, promptly wash it off using soap and water.

10.1.3 Do not apply excessive force to the display surface or the adjoining areas since this may cause the color tone to vary.

10.1.4 The polarizer covering the display surface of the LCD module is soft and easily scratched. Handle this polarizer carefully.

10.1.5 If the display surface is contaminated, breathe on the surface and gently wipe it with a soft dry cloth. If still not completely clear, Can only use LCD dedicated cleaner, the following organic solvent can not be used:

- Isopropyl alcohol
- Ethyl alcohol
- Ketone
- Aromatic solvents

10.1.6 Do not attempt to disassemble the LCD Module.

10.1.7 If the logic circuit power is off, do not apply the input signals.

10.1.8 To prevent destruction of the elements by static electricity, be careful to maintain an

10.1.9 optimum work environment.

10.1.9.1 Be sure to ground the body when handling the LCD Modules.

10.1.9.2 Tools required for assembly, such as soldering irons, must be properly ground.

10.1.9.3 To reduce the amount of static electricity generated, do not conduct assembly and other work under dry conditions.

10.1.9.4 The LCD Module is coated with a film to protect the display surface. Be care when peeling off this protective film since static electricity may be generated.

### 10.2 Storage precautions

10.2.1 When storing the LCD modules, avoid exposure to direct sunlight or to the light of fluorescent lamps.

10.2.2 The LCD modules should be stored under the storage temperature range. If the LCD modules will be stored for a long time, the recommend condition is:

Temperature: 0°C ~ 40°C Relatively humidity: ≤80%.

10.2.3 The LCD modules should be stored in the room without acid, alkali and harmful gas.

### 10.3 Transportation Precautions

10.3.1 The LCD modules should be no falling and violent shocking during transportation, and also should avoid excessive press, water, damp and sunshine.

## 11 LCD Introduction

### 11.1 Process capacity

DWIN adopts original class A glass and the entire production is in the park from cleaning, cutting, bonding, and laminating of large glass to backlight assembly, quality inspection, and aging.

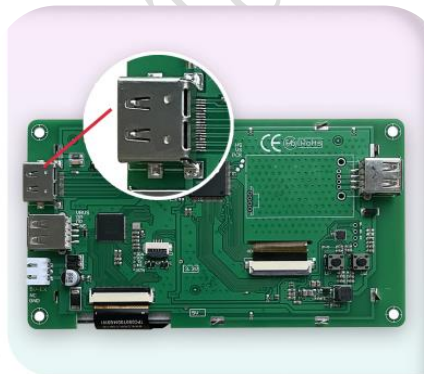
There are 12,000 square meters of clean workshop, with a monthly production capacity of about 2.5 million pieces. Each piece of LCD produced in the factory is for 30 days of aging.



### 11.2 ODM service

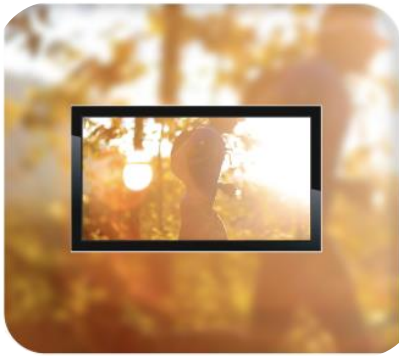
Based on LCD products of 1.5~21.5 inches, DWIN provides the following customization services.

#### 1、LCD HDMI interface customization.



HDMI interface

2、Special screen customization such as high brightness, ultra-wide temperature and strong electromagnetic protection.



High luminance  
(up to 1200nit)



Ultra-wide temperature  
(-40~85℃)



Strong electromagnetic  
protection

3、Lamination customization service of LCD + TP.



LCM+RTP



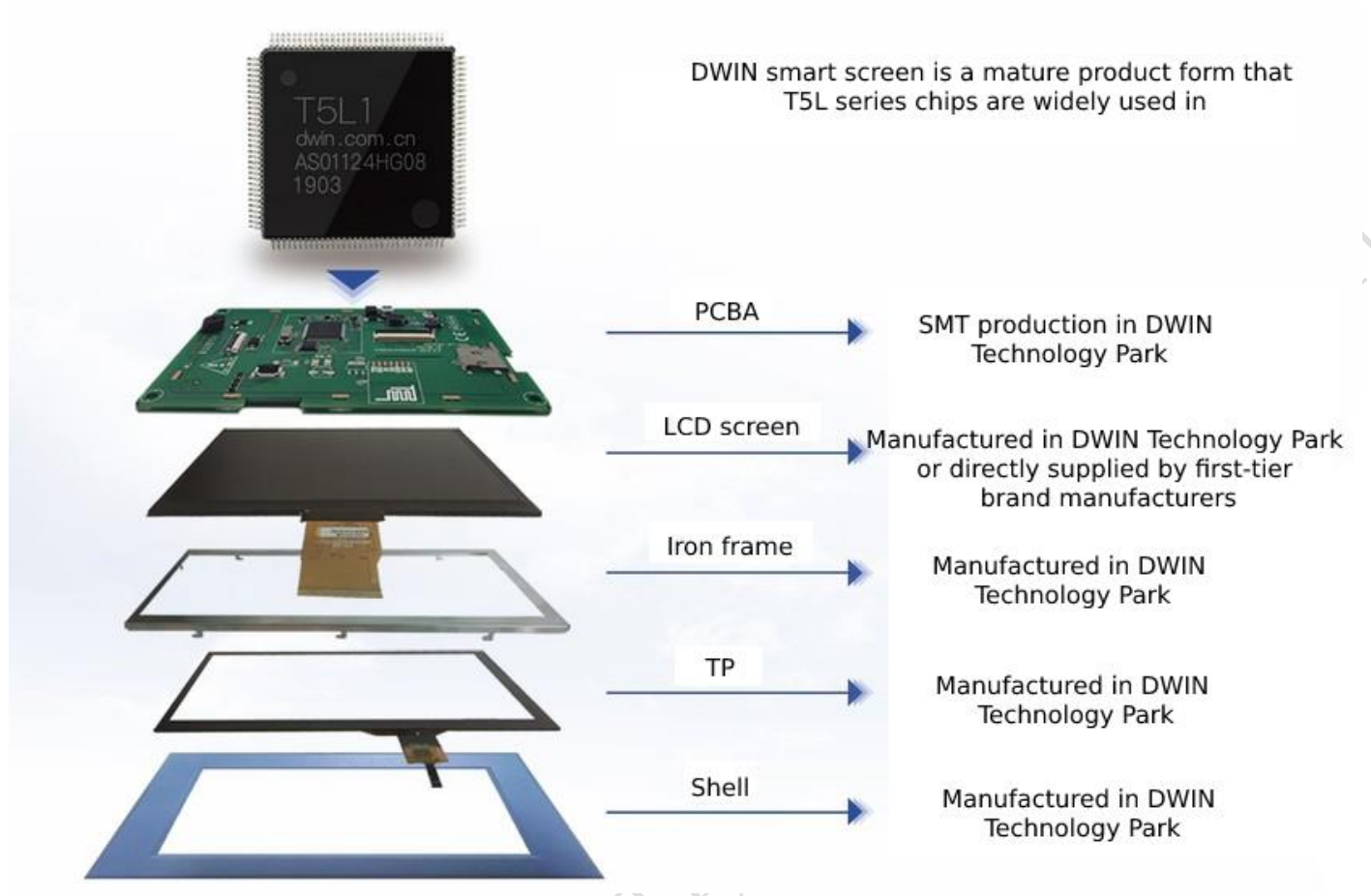
LCM+CTP

4、Customization service of DWIN self-developed T5L ASIC+ LCD + TP.





### 5、Smart screen finished product customization.



Please contact our sales staff for other customization needs.

## Record of Revision

Rev	Date	Description	Editor
00	2019-03-13	First Release	Xiao Meng
01	2019-10-26	Update Thickness	Gong Guiying
02	2020-01-03	Add Timing Characteristics	Gong Guiying
03	2020-04-16	Update FPC Length and Thickness	Gong Guiying
04	2021-09-16	Update Electrical Characteristics	Ouyang Kaixing
05	2022-12-21	Add Product Picture	Chen Xian
06	2023-02-22	Update Packing Capacity	Chen Xian

Please contact us if you have any questions about the use of this document or our products, or if you would like to know the latest information about our products:

Customer service tel: +86 400 018 9008

Customer service email: [dwinhmi@dwin.com.cn](mailto:dwinhmi@dwin.com.cn)

DWIN developer forum: <https://forums.dwin-global.com/index.php/forums/>

Thank you all for continuous support of DWIN, and your approval is the driving force of our progress!